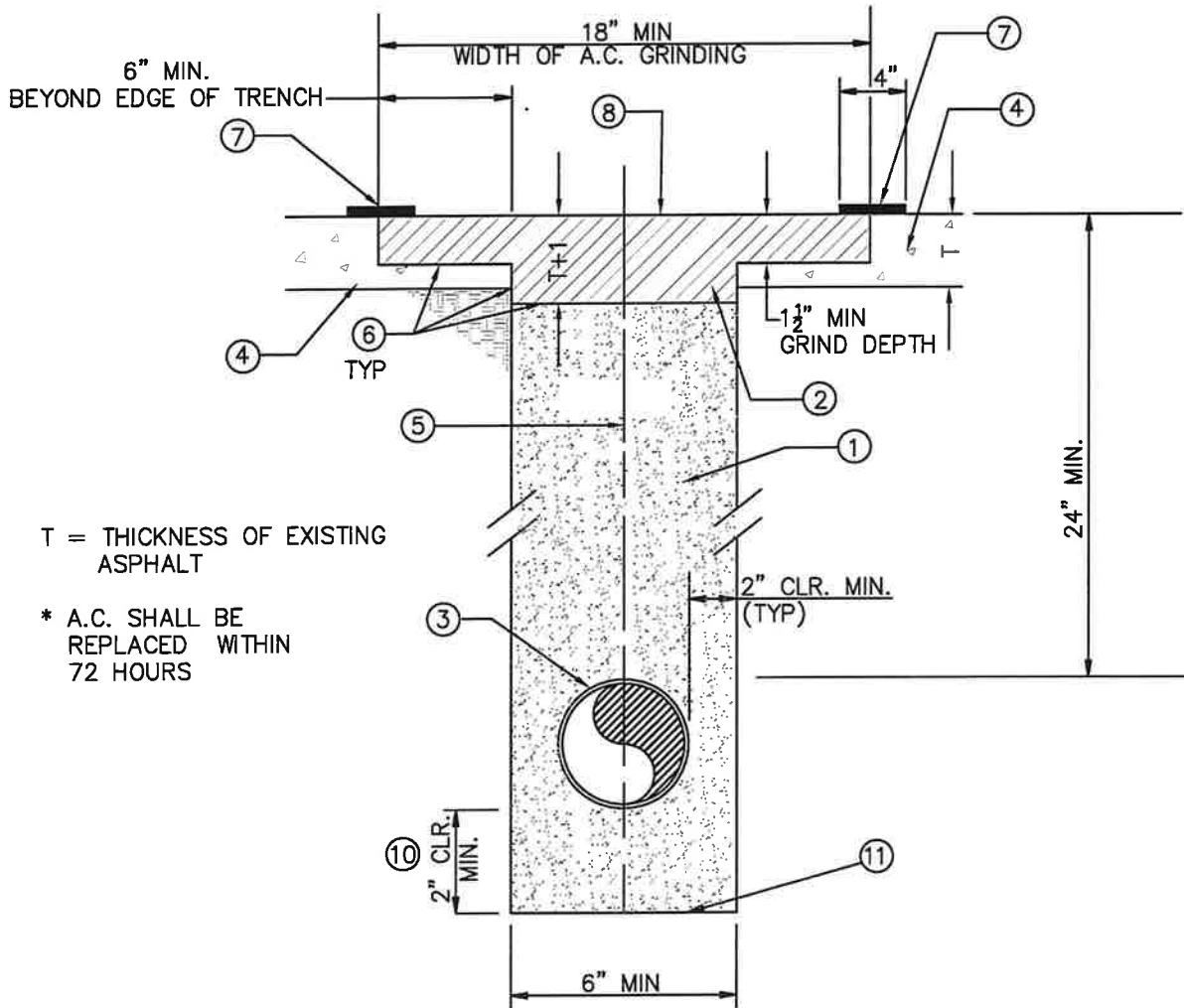


**PERMIT PLANS &  
SPECIFICATIONS**



T = THICKNESS OF EXISTING ASPHALT

\* A.C. SHALL BE REPLACED WITHIN 72 HOURS

**NOTES:**

- ① 1 SACK SLURRY BACKFILL OR A.P.W.A. CLASS 100-E-100 CONCRETE MIX. ALLOW MIN. 24 HRS. BEFORE PLACING A.C.
- ② A.P.W.A. CLASS D2-PG 64-10 A.C. (1/2" MIX) \*
- ③ LOCATION OF CONDUITS AND CABLES. MULTIPLE CONDUITS SHALL BE BUNDLED AND TIED.
- ④ EXISTING A.C. PAVEMENT
- ⑤ SYMMETRICAL ABOUT CENTERLINE OF TRENCH
- ⑥ TACKCOAT, GRADE SS-1h EMULSIFIED ASPHALT AT 0.15 GALLONS PER SQUARE YARD.
- ⑦ SPRAY GARDE SS-1h EMULSIFIED ASPHALT AT 0.15 GALLONS PER SQUARE YARD, 4" WIDE, CENTERED ON A.C. SEAM LINE
- ⑧ SURFACE TREATMENT TO MATCH EXISTING PAVEMENT (E.G. SLURRY, ETC.).
- ⑨ WHEN THE EDGE OF THE GRIND LINE IS WITHIN 12" OF EDGE OF PAVEMENT, CURB OR GUTTER, ANY STRUCTURE, OR AN ADJACENT TRENCH PATCH, GRINDING SHALL BE EXTENDED TO SAID LINE.
- ⑩ CONDUITS SHALL BE SUPPORTED AT 4' ON CENTER TO ALLOW FOR FULL ENCASEMENT OF CONDUITS WITH SLURRY. (SAND PLACED ON BOTTOM OF TRENCH COMPACTED TO 95% R.C. MAY BE SUBSTITUTED)
- ⑪ BOTTOM OF TRENCH SHALL BE COMPACTED TO 95% R.C.

CITY OF RANCHO PALOS VERDES

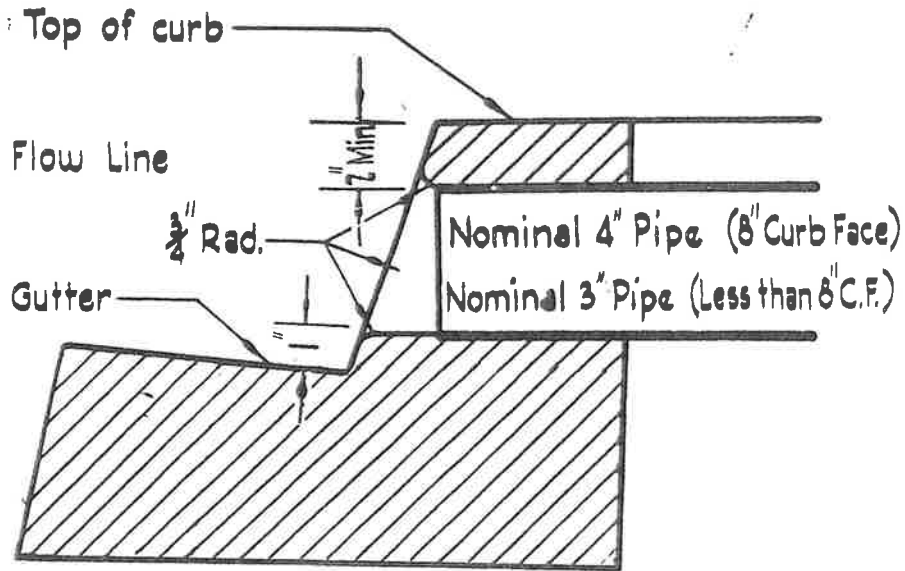
NARROW UTILITY TRENCH SLURRY BACKFILL & ASPHALT RESURFACING

STANDARD PLAN

SHEET 1 OF 1

LOS ANGELES COUNTY ROAD DEPARTMENT

**CURB DRAIN STANDARD**



**CROSS SECTION**

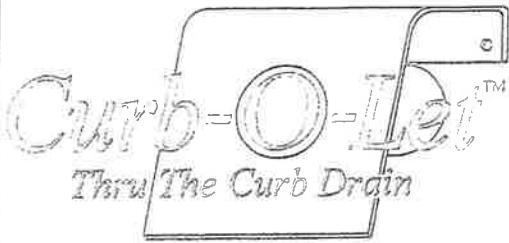
NOTE 1: A minimum separation of ten (10') feet is required between adjacent drains on the same property.

NOTE 2: If a greater volume of water flow is desired, either  
a) Substitute oval transite pipe for the round pipe; the vertical height of the oval pipe shall not exceed four (4) inches; or,  
b) Construct a Modified Number 12 Box Culvert.

NOTE 3: If a pipe drain is installed through a curb with less than a nominal eight (8) inch face, the flow line of the pipe shall be at the same elevation as the flow line of the gutter. Such pipe shall not exceed three (3) inch nominal diameter.

NOTE 4: County Class "B" ( $5\frac{1}{2}$  Sack/yd.,  $\frac{3}{4}$ " maximum aggregate), concrete shall be used for repouring the curb.

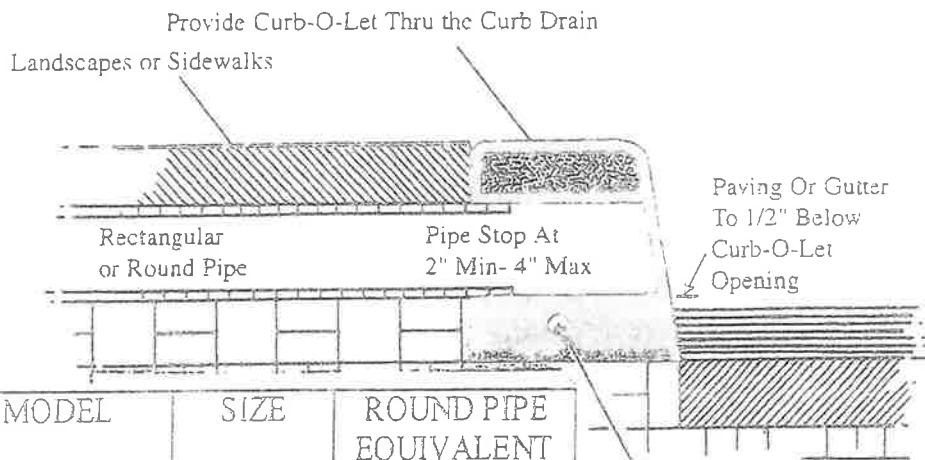
NOTE 5: For inspection Call: (310) 544-5252



Architects and Engineers  
Curb-O-Let Thru the Curb Drain  
Specifications & Cut Sheet

Visit our website at: <http://www.curboletproduct.com>

Install As Per Manufacturer's Recommendations

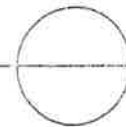


MODEL	SIZE	ROUND PIPE EQUIVALENT
TCD 3RD	3" Round	3
TCD 4RD	4" Round	4
TCD 35	3" X 5"	4
TCD 38	3" X 8"	5
TCD 312	3" X 12"	6
TCD 414	4" X 14"	8
TCD 420	4" X 20"	10

- Place min. #4 Rebar Through Curb-O-Let Access Holes
- Extend 6" Beyond Sides

NOT TO SCALE

Curb-O-Let Thru The Curb Drain



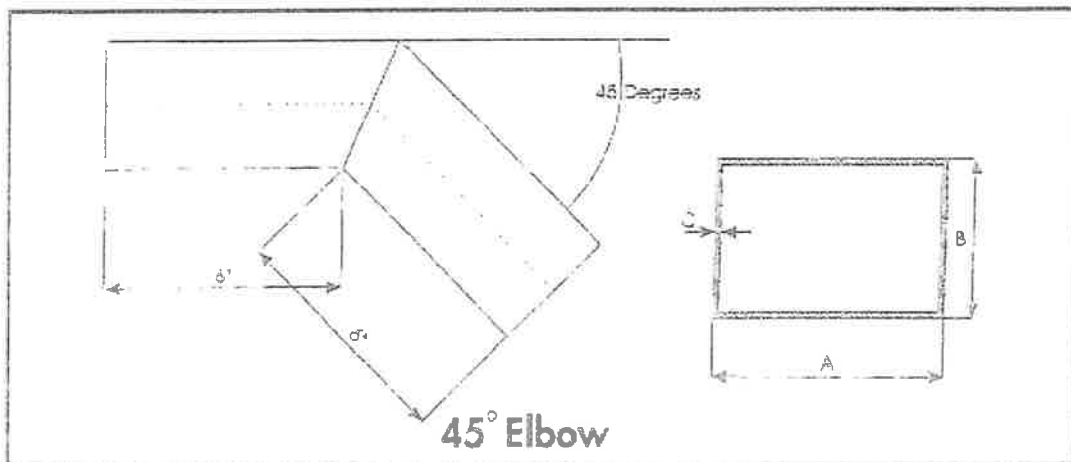
Permission is granted to copy this page.

(714) 903-2468  
(562) 867-4557  
Fax (562) 920-1994



## Rectangular Steel Pipe and Fittings Product List:

Product #	Size	Round Equivalent	Round Transverse Area
CP - SP 455	3" x 5"	4"Ø	13.06 Sq. In.
CP - SP 458	3" x 8"	5"Ø	20.02 Sq. In.
CP - SP 4512	3" x 12"	6"Ø	30.52 Sq. In.
CP - SP 4514	4" x 14"	8"Ø	50.75 Sq. In.
CP - SP 4517	3" x 17"	8"Ø	50.75 Sq. In.
CP - SP 4522	4" x 22"	10"Ø	78.54 Sq. In.



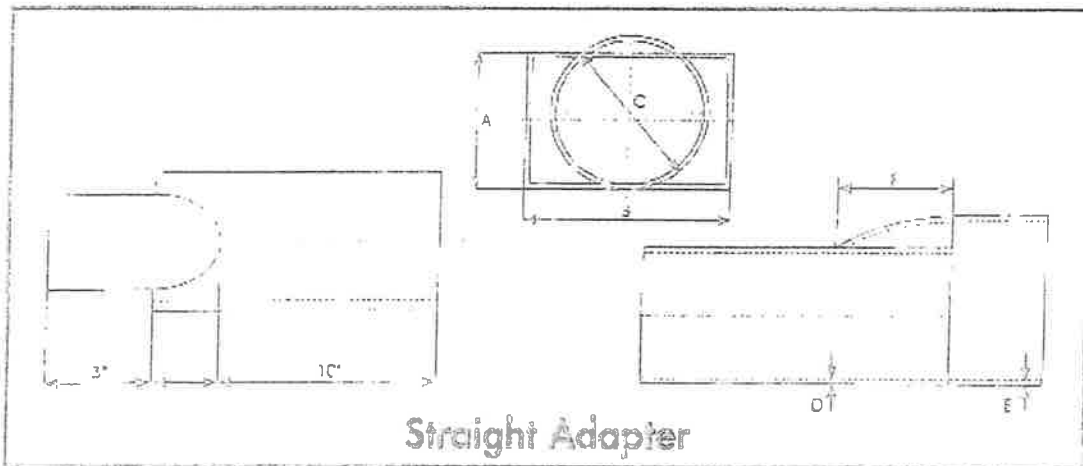
### Product Specification

Product #	A	B	C
CP - SP 455	3"	5"	1/8"
CP - SP 458	3"	8"	3/16"
CP - SP 4512	3"	12"	3/16"
CP - SP 4514	4"	14 3/8"	3/16"
CP - SP 4517	3"	17 3/8"	3/16"
CP - SP 4522	4"	21 3/4"	3/16"



## Rectangular Steel Pipe and Fittings Product List:

Product #	Size	Round Equivalent	Round Transverse Area
CP - SPA 05	3" x 5"	4"Ø	13.06 Sq. In.
CP - SPA 08	3" x 8"	5"Ø	20.02 Sq. In.
CP - SPA 12	3" x 12"	6"Ø	30.52 Sq. In.
CP - SPA 14	4" x 14"	8"Ø	50.75 Sq. In.
CP - SPA 17	3" x 17"	8"Ø	50.75 Sq. In.
CP - SPA 22	4" x 22"	10"Ø	78.54 Sq. In.



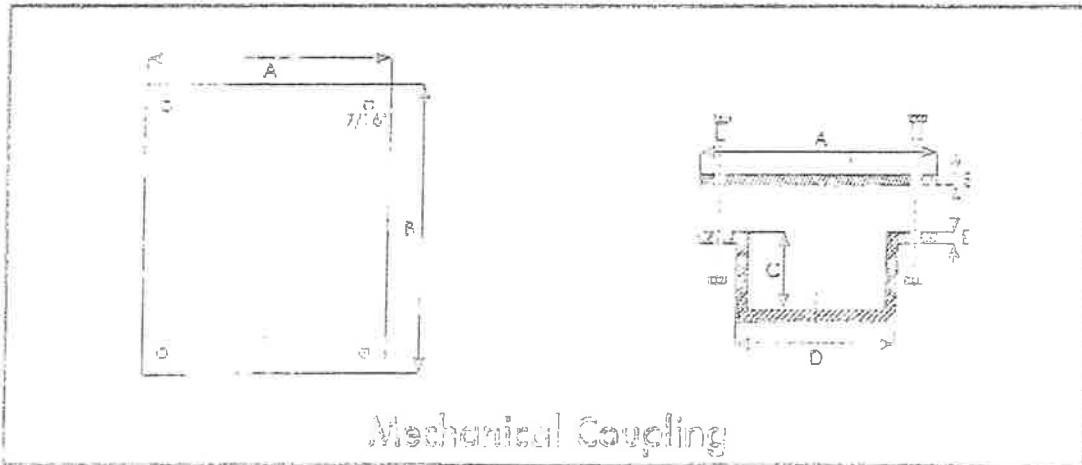
### Product Specification

Product #	A	B	C	D	E	F
CP - SPA 05	3"	5"	4 3/8"	1/8"	3/16"	2"
CP - SPA 08	3"	8"	5 3/8"	3/16"	3/16"	4"
CP - SPA 12	3"	12"	6 3/8"	3/16"	3/16"	6"
CP - SPA 14	4"	14 3/8"	8 3/8"	3/16"	3/16"	8"
CP - SPA 17	3"	17 3/8"	8 3/8"	3/16"	3/16"	8"
CP - SPA 22	4"	21 3/4"	10 3/8"	3/16"	3/16"	10"



## Rectangular Steel Pipe and Fittings Product List:

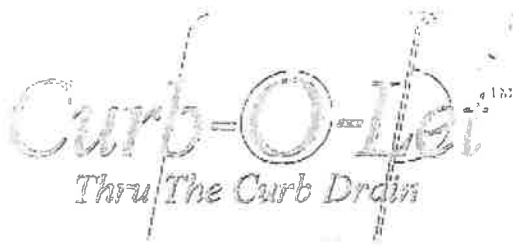
Product #	Size	Round Equivalent
CP - SPC 05-2	3" x 5"	4"Ø
CP - SPC 08-2	3" x 8"	5"Ø
CP - SPC 12-2	3" x 12"	6"Ø
CP - SPC 14-2	6" x 14"	8"Ø
CP - SPC 17-2	3" x 17"	8"Ø
CP - SPC 22-2	4" x 22"	10"Ø



Mechanical Coupling

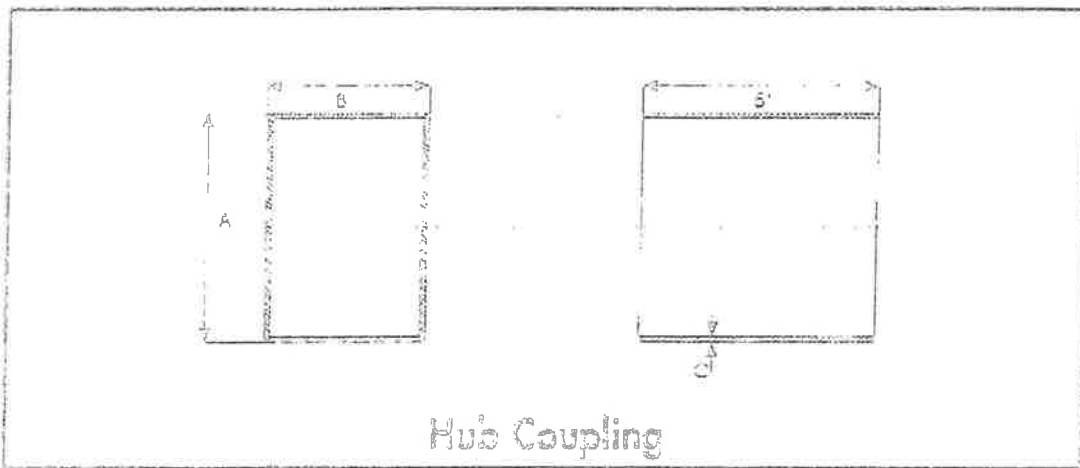
## Product Specification

Product #	A	B	C	D	E
CP - SP 05-2	4"	8 3/4"	3 1/8"	3 1/2"	3/8"
CP - SP 08-2	4"	11 3/4"	3 3/8"	8 1/2"	3/8"
CP - SP 12-2	4"	15 3/4"	3 3/8"	12 1/2"	3/8"
CP - SP 14-2	4"	18 1/8"	4 3/8"	14 3/4"	3/8"
CP - SP 17-2	3"	17 1/8"	3 3/8"	15 1/2"	3/8"
CP - SP 22-2	4"	22 1/2"	4 3/8"	22 1/2"	3/8"



**Rectangular  
Steel Pipe and Fittings  
Product List:**

Product #	Size	Round Equivalent
CP - SPC 05	3" x 5"	4"Ø
CP - SPC 08	3" x 8"	5"Ø
CP - SPC 12	3" x 12"	6"Ø
CP - SPC 14	4" x 14"	8"Ø
CP - SPC 17	3" x 17"	8"Ø



**Hub Coupling**

**Product Specification**

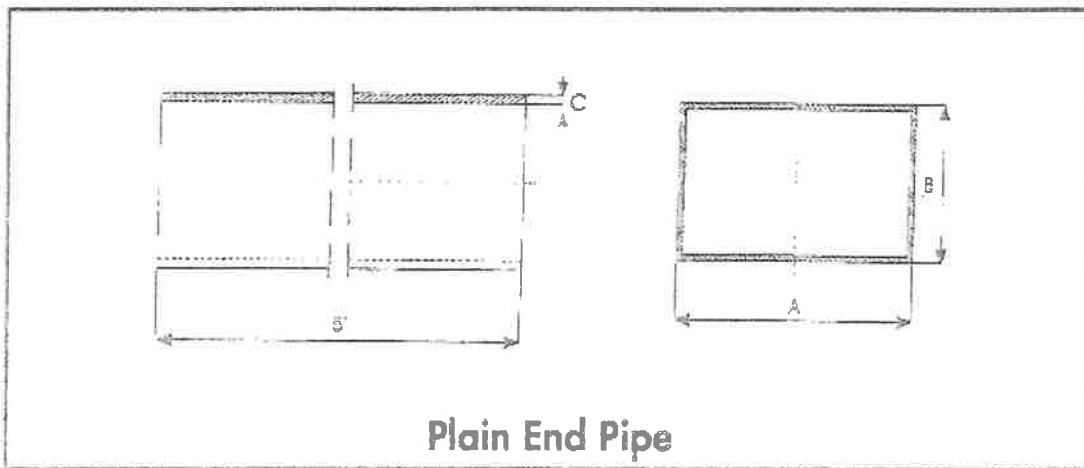
Product #	A	B	C
CP - SP 05	5 3/4"	3 3/4"	1/8"
CP - SP 08	8 3/4"	3 3/4"	3/16"
CP - SP 12	12 3/4"	3 3/4"	3/16"
CP - SP 14	15 1/8"	4 3/4"	3/16"
CP - SP 17	17 3/8"	3 3/4"	3/16"





## Rectangular Steel Pipe and Fittings Product List:

Product #	Size	Round Equivalent	Round Transverse Area
CP - SP 305	3" x 5" x 5'	4"Ø	13.06 Sq. In.
CP - SP 308	3" x 8" x 5'	5"Ø	20.02 Sq. In.
CP - SP 312	3" x 12" x 5'	6"Ø	30.52 Sq. In.
CP - SP 317	3" x 17" x 5'	8"Ø	50.75 Sq. In.
CP - SP 414	4" x 14" x 5'	8"Ø	50.75 Sq. In.
CP - SP 422	4" x 22" x 5'	10"Ø	78.54 Sq. In.



Plain End Pipe

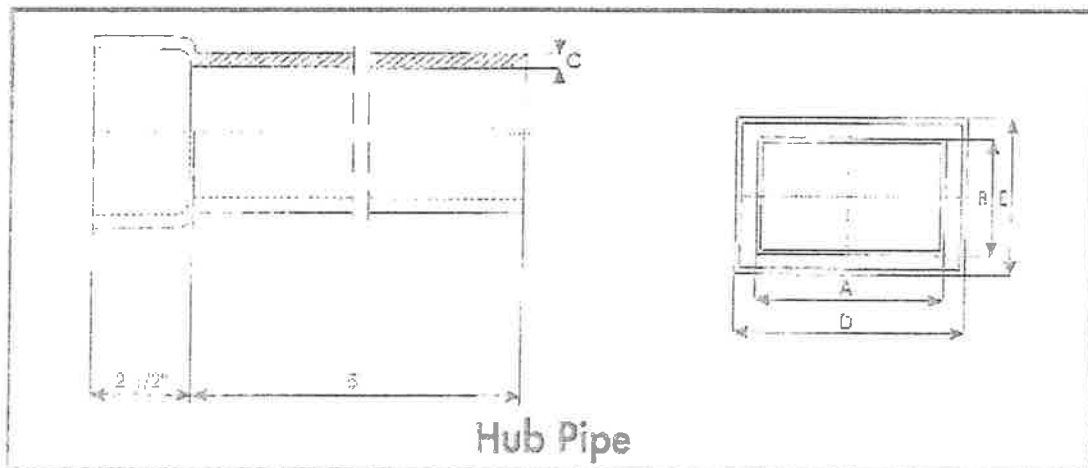
### Product Specification

Product #	A	B	C
CP - SP 305	5"	3"	3/16"
CP - SP 308	8"	3"	3/16"
CP - SP 312	12"	3"	3/16"
CP - SP 317	17 3/8"	3"	3/16"
CP - SP 414	14 3/8"	4"	3/16"
CP - SP 422	21 3/4"	4"	3/16"



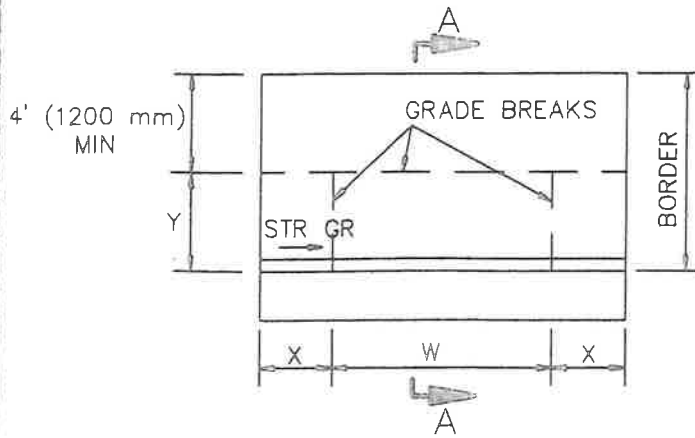
## Rectangular Steel Pipe and Fittings Product List:

Product #	Size	Round Equivalent	Round Transverse Area
CP - SP 305 H	3" x 5" x 5'	4"Ø	13.06 Sq. In.
CP - SP 308 H	3" x 8" x 5'	5"Ø	20.02 Sq. In.
CP - SP 312 H	3" x 12" x 5'	6"Ø	30.52 Sq. In.
CP - SP 317 H	3" x 17" x 5'	8"Ø	50.75 Sq. In.
CP - SP 414 H	4" x 14" x 5'	8"Ø	50.75 Sq. In.

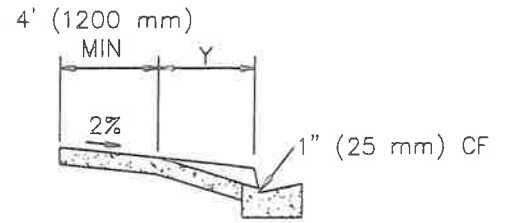


### Product Specification

Product #	A	B	C	D	E
CP - SP 305 H	5"	3"	1/8"	5 3/4"	3 3/4"
CP - SP 308 H	8"	3"	3/16"	8 3/4"	3 3/4"
CP - SP 312 H	12"	3"	3/16"	12 3/4"	3 3/4"
CP - SP 317 H	17 3/8"	3"	3/16"	17 1/8"	3 3/4"
CP - SP 414 H	14 3/8"	4"	3/16"	15 1/8"	4 3/4"

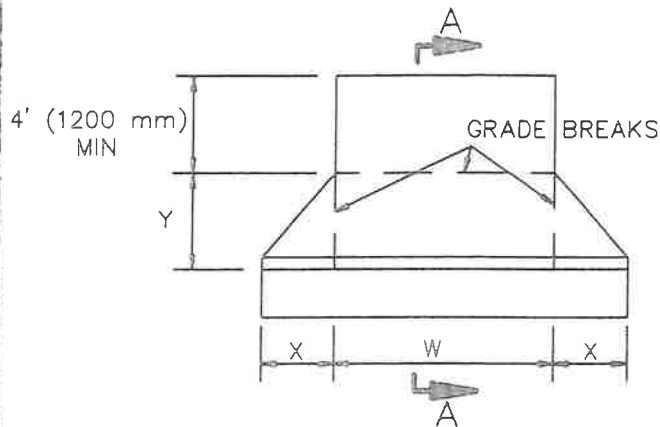


TYPE A

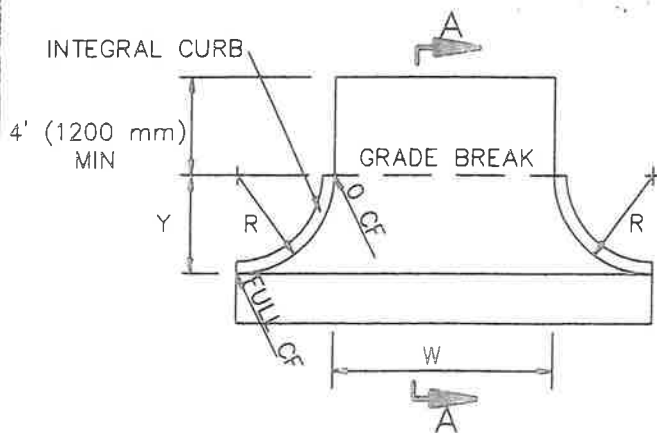


SECTION A-A

CURB FACE, inches (mm)	X, inches (mm)	Y, inches (mm)
6" (150) or less	3'-0" (900)	4'-0" (1200)
7" (175)	3'-6" (1050)	4'-9" (1425)
8" (200)	4'-0" (1200)	5'-8" (1700)
9" (225)	4'-6" (1350)	6'-6" (1950)
10" (250)	5'-0" (1500)	7'-3" (2175)
11" (275)	5'-6" (1650)	8'-0" (2400)
12" (300) or more	6'-0" (1800)	8'-9" (2625)



TYPE B



TYPE C

NOTES:

1. RESIDENTIAL DRIVEWAYS SHALL BE 4" (100 mm) THICK PCC.
2. COMMERCIAL DRIVEWAYS SHALL BE 6" (150 mm) THICK PCC.
3. WEAKENED PLANE JOINTS SHALL BE INSTALLED AT BOTH SIDES OF A DRIVEWAY AND AT 10' (3.0 m) INTERVALS.
4. CURB FOR TYPE C DRIVEWAY SHALL BE INTEGRAL AND MATCH ADJACENT CONSTRUCTION.
5. REFER TO LOCAL DEVELOPMENT REGULATIONS FOR AMERICANS WITH DISABILITIES ACCESS REQUIREMENTS AND MAXIMUM PERMITTED DRIVEWAY WIDTHS.

STANDARD PLANS FOR PUBLIC WORKS CONSTRUCTION

PROMULGATED BY THE  
PUBLIC WORKS STANDARDS INC.  
GREENBOOK COMMITTEE  
1984  
REV. 1996, 2009

**DRIVEWAY APPROACHES**

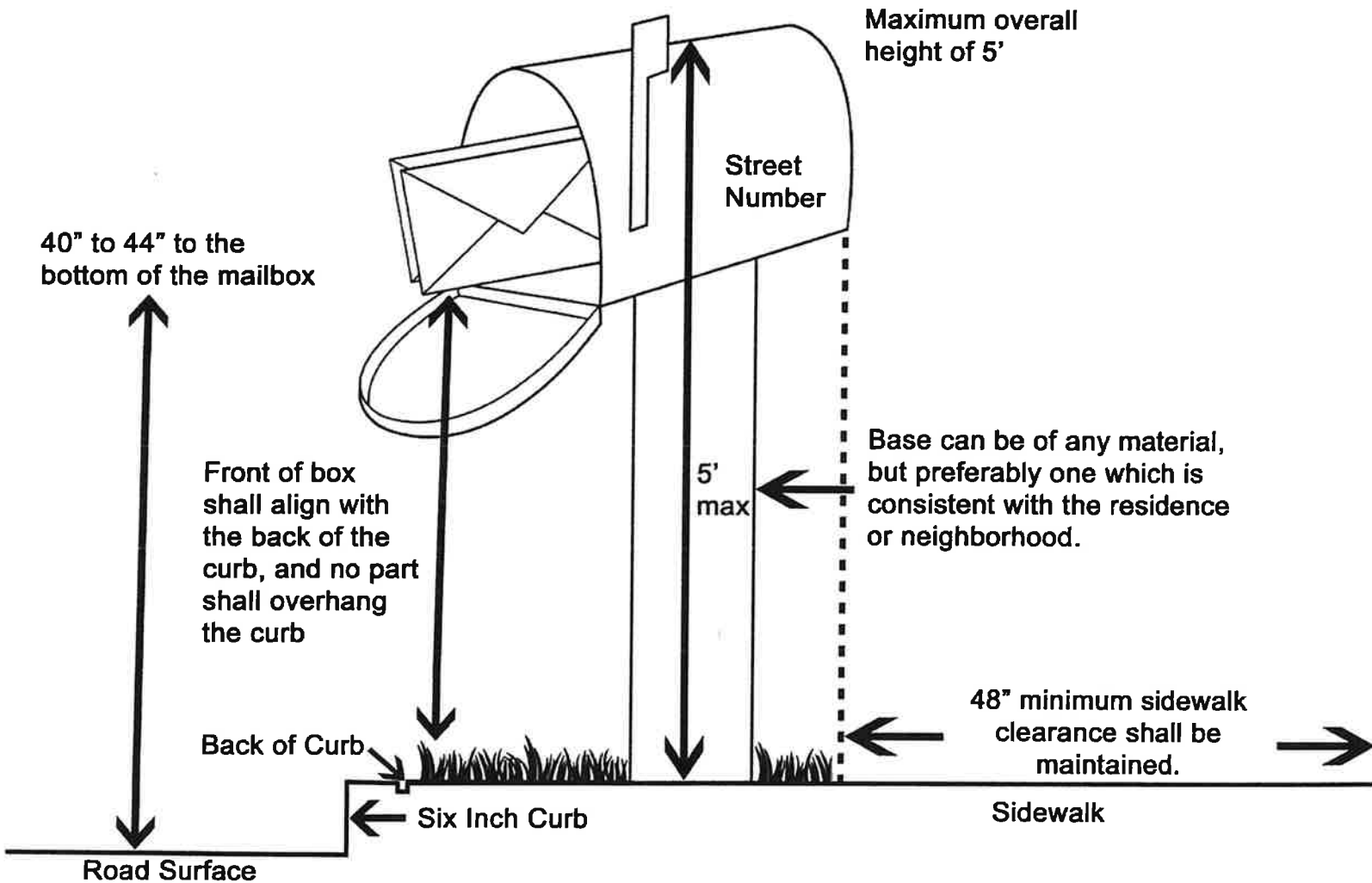
STANDARD PLAN

110--2

USE WITH STANDARD SPECIFICATIONS FOR PUBLIC WORKS CONSTRUCTION

SHEET 1 OF 1

# MAILBOX STANDARD

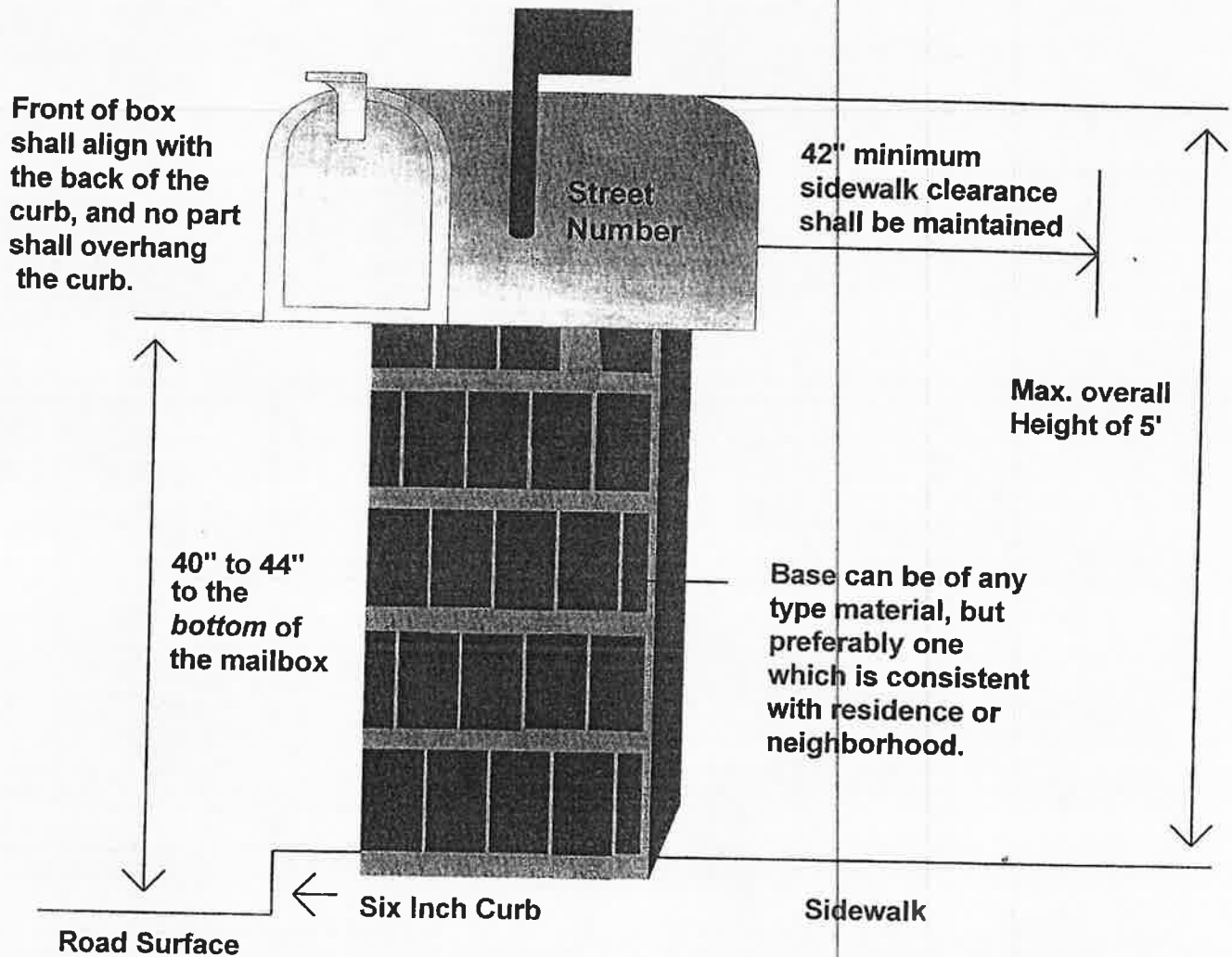


## Notes:

- 1) The maximum overall height to the top of the box shall not exceed five (5) feet.
- 2) The maximum footprint for support structures shall be 24" by 24".
- 3) Larger structures or the addition of lighting will require Permits (Encroachment and/or Electrical) from the Public Works and/or Community Development (Planning and Building & Safety) Departments.
- 4) Landowners may wish to consult with the Public Works Department in situations where no curbs exist.

# City of Rancho Palos Verdes

## Mailbox Standard



- NOTES:**
- 1) The Maximum overall height to the top of the box shall not exceed five (5) feet.
  - 2) The maximum footprint for support structures shall be 24" by 24".
  - 3) Larger structures or the addition of lighting will require Encroachment Permits from the Public Works Department and/or Building & Safety Permits.
  - 4) Landowners may wish to consult with the Public Works Department in situations where no curbs exist.